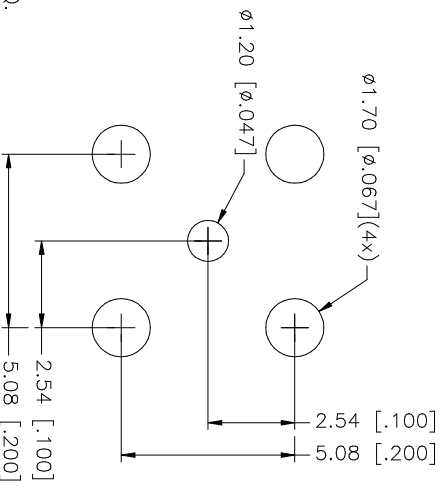
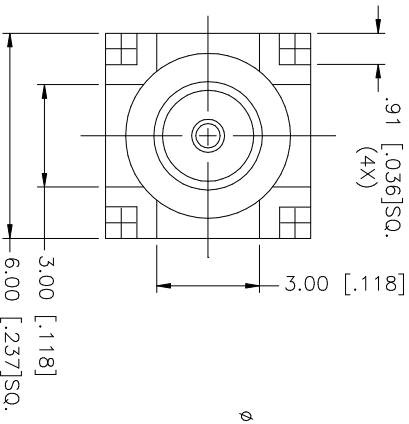
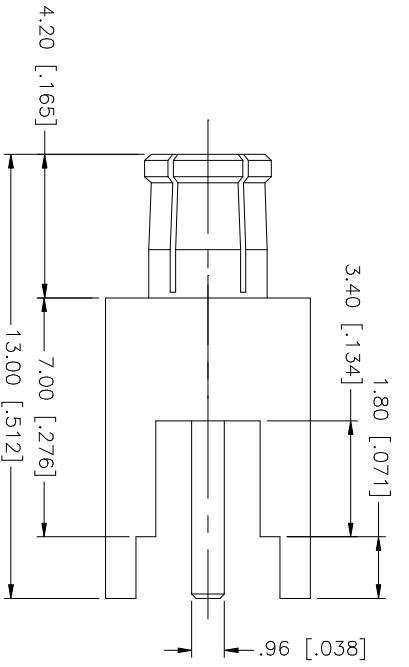


REV.	DATE	DESCRIPTION
A	04/31/03	UPDATE DRAWING FORMAT



PCB MOUNTING HOLES

8																			
7																			
6																			
5																			
4																			
3	CONTACT PIN	BRASS	GOLD	1															
2	INSULATOR	TEFLON	NATURAL	1															
1	HOUSING	BRASS	GOLD	1															
	DESCRIPTION	MATERIAL	FINISH	QTY															
					UNLESS OTHERWISE SPECIFIED DIMENSIONS ARE IN MILLIMETERS. DIMENSIONS IN [ ] ARE IN INCHES AND FOR CUSTOMER REFERENCE ONLY. UNLESS OTHERWISE SPECIFIED TOLERANCES FOR MILLIMETERS ARE: 0.5 - 8mm ± 0.20mm 8 - 30mm ± 0.40mm 30 - 120mm ± 0.50mm UNLESS OTHERWISE SPECIFIED TOLERANCES FOR INCHES ARE: .020 - .315 = ± 0.007" .315 - 1.180 = ± 0.015" 1.180 - 4.724 = ± 0.020"					APPROVALS DRAWN G.R.S. DATE 04/31/03 CHECKED ISSUED SHEET 1 OF 1					CAD FILE C:/252/252153.DWG DWG. NO. 252153.DWG REV. A SIZE A SCALE NA				
PART DESCRIPTION <b>MCX P.C. BOARD RECEPTACLE PLUG</b> 252153																			